



atmosphere is everything

accessories-options 11b ML 10/4/13

ACCESSORIES & OPTIONS GUIDE



Note: The  logo, located next to an accessory, indicates the factory recommended choice within each section.



atmosphere is everything

TABLE OF CONTENTS

Door Limit Switches	3-5
Controllers	6
Motor Control Panels	7
Specialty Motors	8
Mounting Hardware	9
Filters	10
Special Construction	11
Colors-Materials-Finishes	11
Explosion Proof	11
Washdown/Moisture Resistant	11
Tamper Proof	11



Note: The atmosphere is everything logo, located next to an accessory, indicates the factory recommended choice within each section.



atmosphere is everything

DOOR LIMIT SWITCHES

Mechanical Door Limit Switches - used when automatic control of an air curtain(s) is required. Door limit switches turn the air curtain on when the door opens and off when the door closes.

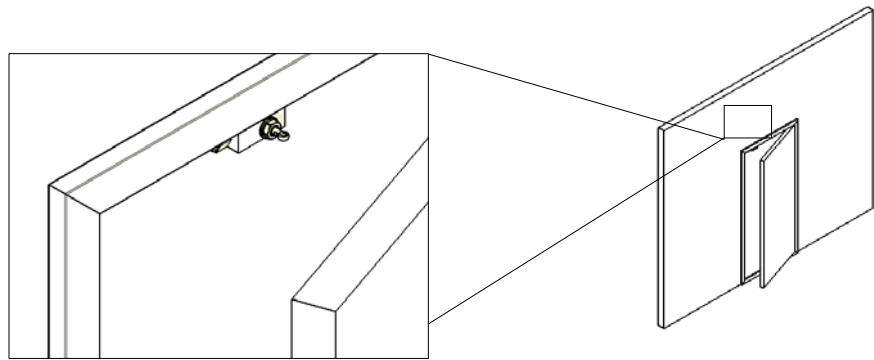
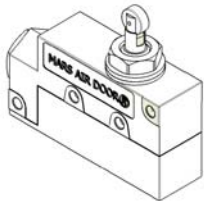
- Roller Type door limit switches are typically used for roll- up type doors.
- Plunger Type door limit switches are used for swinging type doors.
- Combination Plunger / Roller Type door limit switches are used for all types of doors.
- Washdown switches are used in areas of high moisture content and/or when exosed to direct water.
- Explosion Resistant switches are used to provide protection from the ignition of specified gases due to sparks created by the motor's internal components. (Class 1, Division 1, Group D) Contact the factory for other classifications not listed.

Note: An optional motor control panel or controller will be required if the total field conditions exceed ANY of the specified voltages, phase, amps or HP parameters specified for each type of mechanical door limit switch.

Combination Plunger/Roller

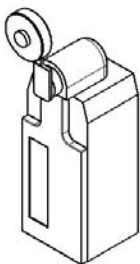


- Part # 99-014 – 250 Volts, 1ø, 20 Amps, 1 HP Max, NC/NO, 1 Pole, NEMA 1

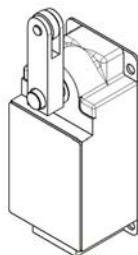


Roller Type Washdown

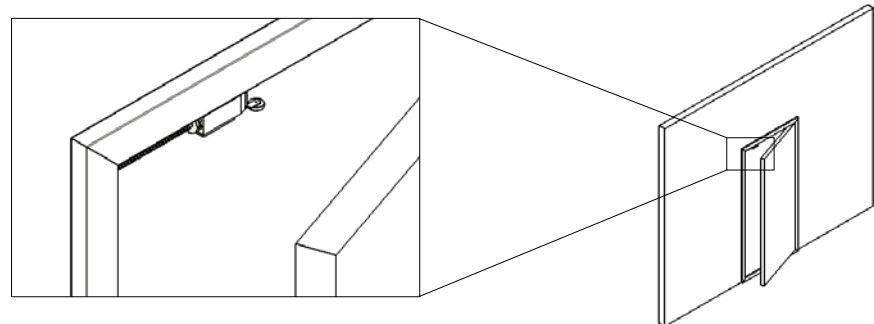
- Part # 99-267 - 250 Volts, 1ø, 10 Amps, 1/2 HP Max, NC/NO, 1 Pole, NEMA 4X
- Part # 99-015 - 600 Volts, 1ø, 20 Amps, 1 HP Max, NC/NO, 1 Pole, NEMA 4X



Part # 99-267



Part # 99-015



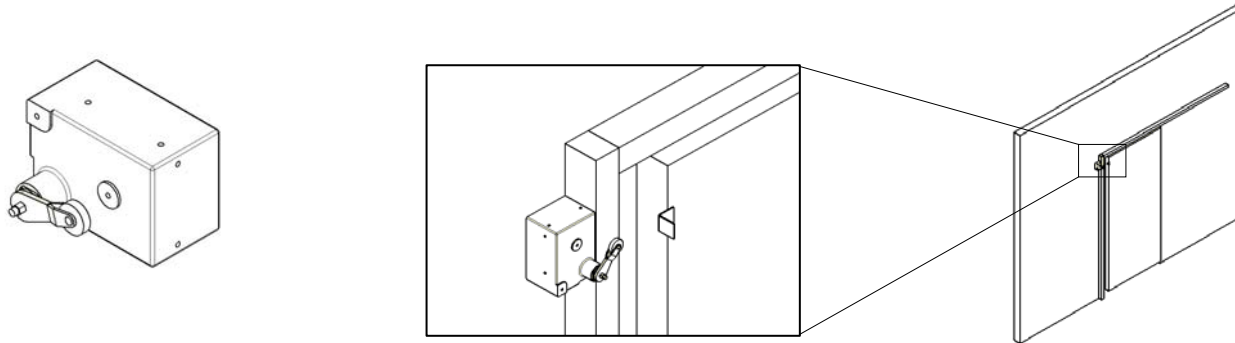
Note: The atmosphere is everything logo, located next to an accessory, indicates the factory recommended choice within each section.



atmosphere is everything

Roller Type Explosion Resistant

- Part # 99-016 - 250 Volts, 1 ϕ , 15 Amps, 3/4 HP Max., NC/NO, 1 Pole, NEMA 7



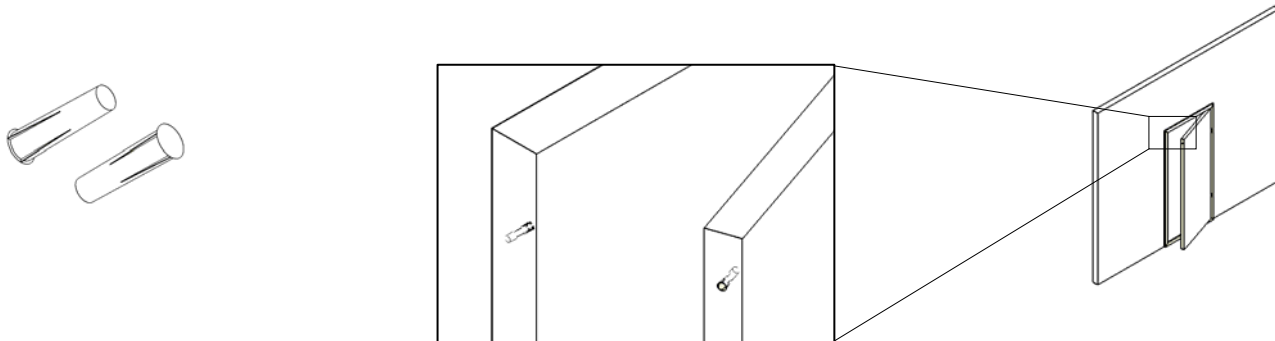
Magnetic Reed Door Limit Switches - used when automatic control of an air curtain(s) is required. Magnetic door limit switches turns the air curtain on when the door opens and off when the door closes.

- Flush Mounted Magnetic switches are used when installation allows for concealing the wires and switches.
- Surface Mounted Magnetic switches are used when wires cannot be run through the wall or frame.
- Floor mounted switches are used for industrial roll-up doors with forklift traffic.
- Commercial Plastic Wireless Surface mounted switches are used for lower traffic applications that requires no exposed wires. These switches must have a minimum light exposure 2000 Lux on the solar panel and have less than 200 cycles per hour.

Note: An optional motor control panel or controller is required when a wired magnetic door limit switch is used.

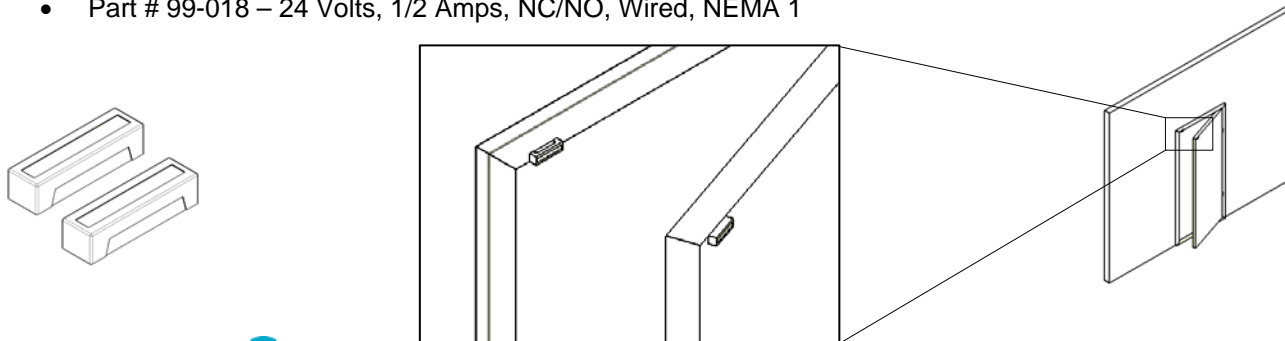
Commercial Plastic Flush Mounted

- Part # 99-275 – 24 Volts, 1/2 Amps, NC/NO, Wired, NEMA 1



Commercial Plastic Surface Mounted

- Part # 99-018 – 24 Volts, 1/2 Amps, NC/NO, Wired, NEMA 1



Note: The atmosphere is everything logo, located next to an accessory, indicates the factory recommended choice within each section.

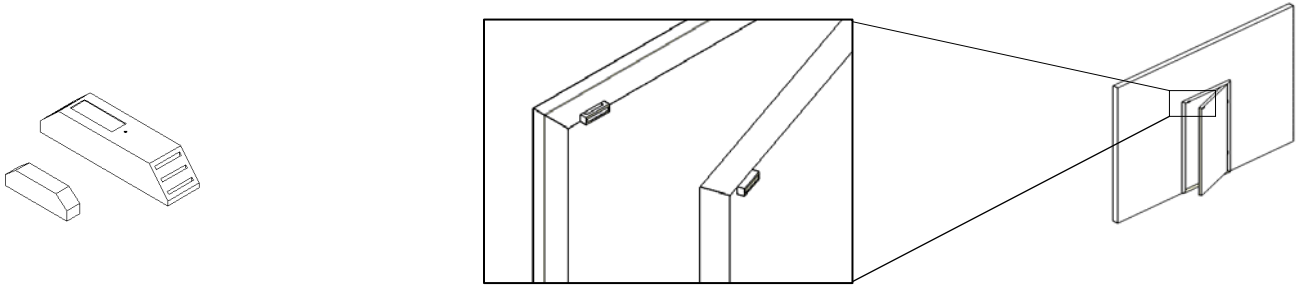


atmosphere is everything



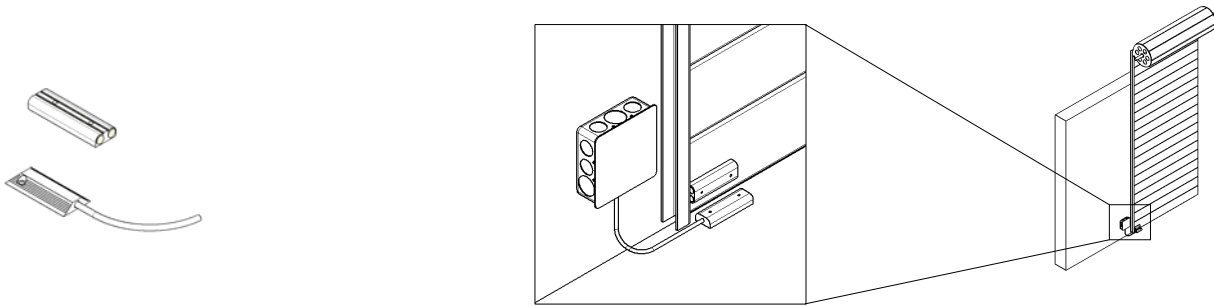
Commercial Plastic Wireless Surface Mounted

- Part # 99-118 – 24 Volts, 2 Amps, Wireless, Solar Charged, NEMA 1
(Kit # J0053 (115V) or Kit # J0054 (208/230V), both includes Wireless Switch and Switch Controller, not shown)



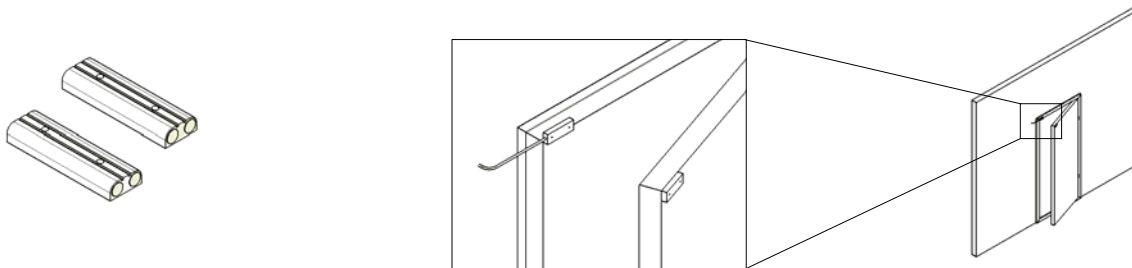
Industrial Aluminum Floor Mounted

- Part # 99-017 – 24 to 120 Volts, 3 Amps, NC/NO, Wired, NEMA 1



Industrial Aluminum Surface Mounted

- Part # 99-081 – 24 to 120 Volts, 3 Amps, NC/NO, Wired, NEMA 1



Note: The  logo, located next to an accessory, indicates the factory recommended choice within each section.



atmosphere is everything

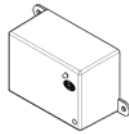
CONTROLLERS

Solid State Controllers - used when automatic control of an air curtain(s) is required with Low Voltage control voltage, with or without time delay. Door limit or magnetic switches can be used to turn the air curtain on when the door opens and off when the door closes.

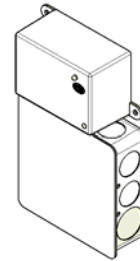
Note: Solid state controllers are limited to the voltages, phase, amps or HP parameters specified for each type.

Controller without Time Delay

- Part # 99-052 – ½ HP, 120 Volts, NC/NO, and Class 2 Low Voltage control
- Part # 99-053 – ½ HP, 208/230 Volts, NC/NO, and Class 2 Low Voltage control wiring



Part # 99-052 (Shown)

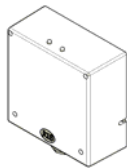


Part # 99-052 (Shown) with 4 X 4 Junction Box

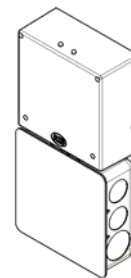


Controller with Adjustable Time Delay

- Part # 99-050 – ½ HP, 120 Volts, ½ Amps, NC/NO , 5–600 sec Time Delay, NEMA 1
- Part # 99-051 – ½ HP, 208/230 Volts, ½ Amps, NC/NO , 5–600 sec Time Delay, NEMA 1



Part # 99-050 (Shown)



Part # 99-052 (Shown) with 4 X 4 Junction Box



Note: The atmosphere is everything logo, located next to an accessory, indicates the factory recommended choice within each section.



atmosphere is everything

MOTOR CONTROL PANELS

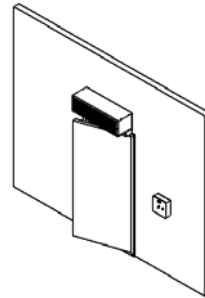
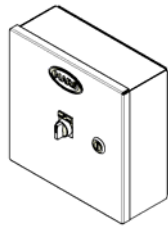
Unheated, Electric, Steam, Hot Water, Indirect Fired Gas, Direct Fired Gas Heated Control Panels – used when automatic control of an air curtain(s) is required, but must be used in conjunction with door limit switches to turn the air curtain on when the door opens and off when the door closes. Contact factory for panel part numbers.

NOTE: All unheated panels are remote mounted (except electric heated) as standard. (Optional unit installation available). Additional panel materials available. Contact factory for details.

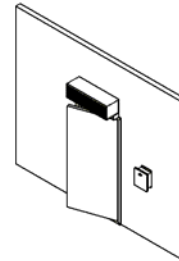


NEMA 1 (IP 10) PANEL

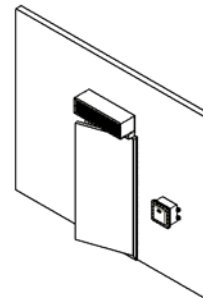
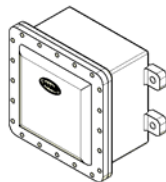
- For indoor use only. Provides protection from dust. Enclosures may be painted metal or fiberglass.



NEMA 4X (IP 56) PANEL – for indoor or outdoor use. Provides protection from hose directed water and corrosion. Enclosures may be stainless steel metal or fiberglass. (Not available for Electric, Indirect Fired Gas and Direct Fired Gas heated models)



NEMA 7 PANEL – for indoor use. Provides protection from the ignition of specified gases due to sparks created by the panel's internal components. Enclosures is cast aluminum with milled edges. (Class 1, Division 1, Group C & D) (Not available for Electric, Indirect Fired Gas and Direct Fired Gas heated models)



Note: The atmosphere is everything logo, located next to an accessory, indicates the factory recommended choice within each section.



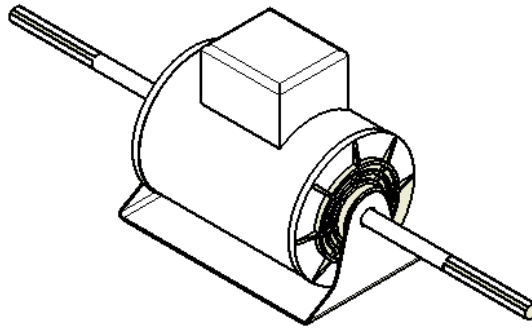
atmosphere is everything

SPECIALTY MOTORS

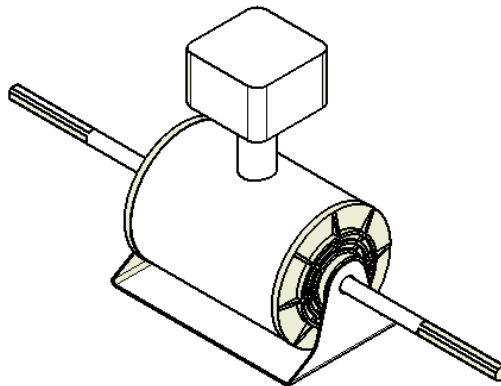
Washdown and Explosion Resistant Motors – specialty motors available to meet specified field conditions, such as washdown or sprayable motors, and explosion proof motors.

NOTE: Additional motor materials and motor classifications are available. Contact factory for details.

NEMA 4X (IP 56) MOTOR – for indoor or outdoor use. Provides protection from hose directed water and corrosion. Motors are epoxy coated with stainless steel shafts and bearing shields.



NEMA 7 MOTOR – for indoor use. Provides protection from the ignition of specified gases due to sparks created by the motor's internal components. Motors are sealed and are typically totally enclosed non-vented (TENV). (Class 1, Division 1, Group D)



Note: The atmosphere is everything logo, located next to an accessory, indicates the factory recommended choice within each section.



atmosphere is everything

MOUNTING HARDWARE

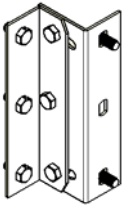
Mounting Brackets – heavy gauge steel, gavenized and specifically designed to be utilized with Mars Air Curtains. Used to simplify installation or for clearing obstructions in the installation area and/or in front of or above the door header.

NOTE: When selecting the appropriate brackets, choose the bracket that has the clearance slightly greater than the field clearance required. All bracket have a rust ressitant G90 Galvanized metal finish as standard. For additional bracket materials and custom finishes, contact the factory for details.

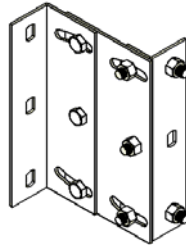


Adjustable Mounting Brackets

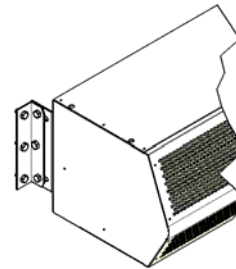
- Part # J0004 - 2 1/2" Clearance
- Part # J0005 - 4" Clearance
- Part # J0006 - 7" Clearance
- Part # J0007 - 10" Clearance



(Part # J0004 Shown)

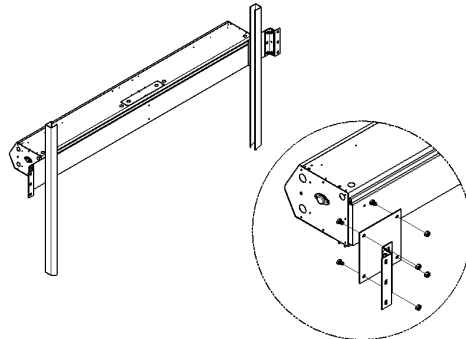
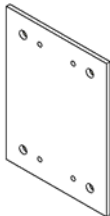


(Part # J0005, J0006, and J007 Shown)



Side Extension Plates

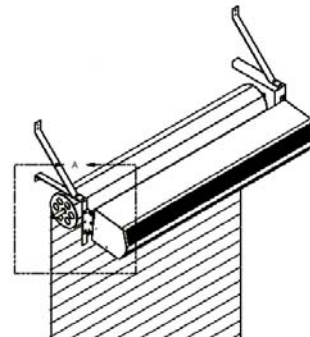
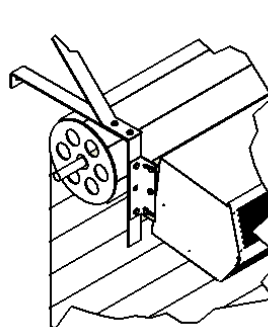
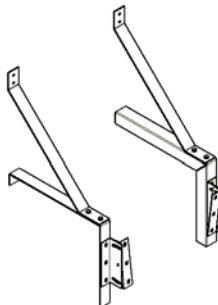
- Part # J0016 - 5" Clearance
- Part # J0017 - 7" Clearance
- Part # J0018 - 9" Clearance



Shown in conjunction with an Adjustable Mounting Bracket

Extended Wall Mounting Brackets

- Part # J0008G - 10" Clearance
- Part # J0009G - 17" Clearance
- Part # J0010G - 19" Clearance
- Part # J0011G - 23" Clearance



Note: The  logo, located next to an accessory, indicates the factory recommended choice within each section.



atmosphere is everything

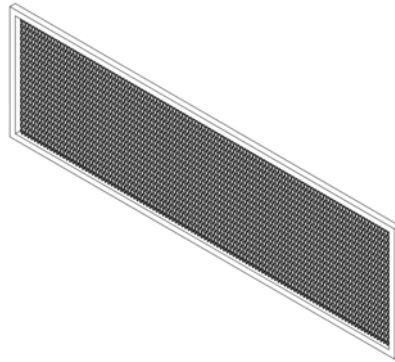
FILTERS

Filters – used to capture large particulates in the installation space. Expanded Aluminum filters are used when washable or reusable filters are required. Paper filters are used when throw away or disposable filters are required.

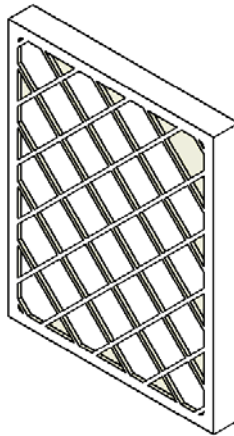
NOTE: Additional materials and filter construction are available. Contact factory for details.

Flat Bank and V-Bank Filter Sections – these options are not all available for all series. See submittal sheets for details and availability.

- **$\frac{1}{4}$ "**, **$\frac{1}{2}$ "** **1" & 2" Aluminum Filters** – washable expanded aluminum. Contact factory for filter part numbers.



- **$\frac{1}{2}$ "**, **1" & 2" Paper Filters** – throw away pleated filters require an externally mounted filter frame. Contact factory for frame and filter kit part numbers.



Note: The atmosphere is everything logo, located next to an accessory, indicates the factory recommended choice within each section.



atmosphere is everything

SPECIAL CONSTRUCTION

Colors – Colors available; Battleship Gray (BG), Obsidien Black (OB), Pearl White (PW), Titanium Silver (TS)
Contact the factory for additional colors.

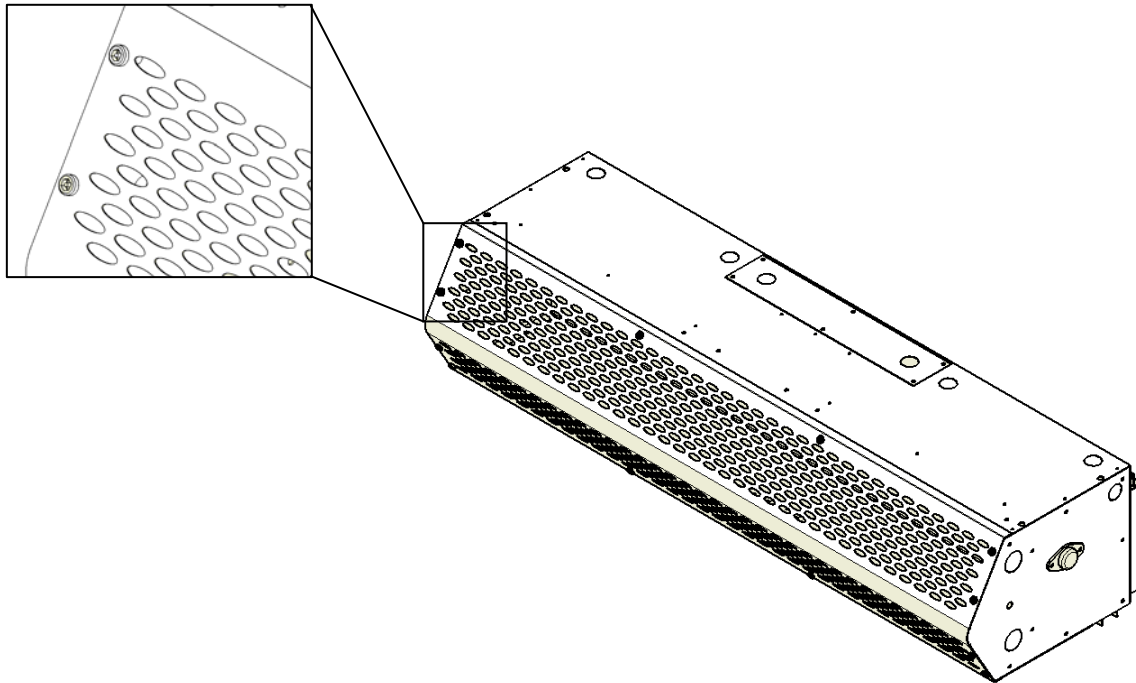
Materials – Stainless steel, aluminum and other materials available. Contact the factory for other materials.

Finishes – Brushed, grained or annodized aluminum. Brushed, grained or polished stainless steel. Heresite anti-corrosion coating.

Explosion Proof – Class 1, Division 1, Group D, NEMA 12

Washdown / Moisture Resistant – Brushed Aluminum, Annodized Aluminum, Brushed 304 SS, Brushed 316 SS, IP56, NEMA 3R, 4, 4X

Tamper Proof – Used for securing equipment parts within the housing or panel. Used for high risk, such as prison installations.



(Tamper Proof Shown)



Note: The atmosphere is everything logo, located next to an accessory, indicates the factory recommended choice within each section.