

Solid State (RIB) Control Packages



Commercial and Industrial Models

atmosphere is everything

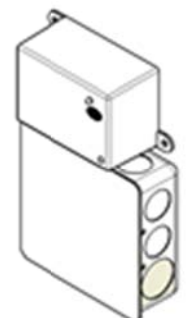
14716 S. BROADWAY, GARDENA, CA 90248 • Ph: (310)532-1555 Fax: (310)-532-3030 • www.marsair.com
© Copyright Mars Air Systems, LLC 2014

Solid State (RIB) Control Packages

Solid State (RIB) Control Package #	Description	Max Voltage/Phase	Max HP Rating
Commercial Type			
J0021	Kit, Controller, Commercial, Adj TD(6s-20m), 115V,1Ø w/Plastic Mag Reed Sw, Surf Mntd, 1/2HP max	115V,1Ø	1/2
J0022	Kit, Controller, Commercial, Adj TD(6s-20m), 208/230V, 1Ø w/Plastic Mag Reed Sw, Surf Mntd,1/2HP max	208/230V,1Ø	1/2
J0023	Kit, Controller, Commercial, No TD, 115V,1Ø w/Plastic Mag Reed Sw, Surf Mntd, 1/2HP max	115V,1Ø	1/2
J0024	Kit, Controller, Commercial, No TD, 208/230V, 1Ø w/Plastic Mag Reed Sw, Surf Mntd, 1/2HP max	208/230V,1Ø	1/2
J0101	Kit, Controller, Commercial, Adj TD(6s-20m), 115V,1Ø w/Plastic Mag Reed Sw, Flush Mntd, 1/2HP max	115V,1Ø	1/2
J0105	Kit, Controller, Commercial, Adj TD(6s-20m), 208/230V, 1Ø w/Plastic Mag Reed Sw, Flush Mntd,1/2HP max	208/230V,1Ø	1/2
J0099	Kit, Controller, Commercial, No TD, 115V,1Ø w/Plastic Mag Reed Sw, Flush Mntd, 1/2HP max	115V,1Ø	1/2
J0103	Kit, Controller, Commercial, No TD, 208/230V, 1Ø w/Plastic Mag Reed Sw, Flush Mntd, 1/2HP max	208/230V,1Ø	1/2
J0053	Kit, Controller, Commercial, No TD, 115V,1Ø w/Wireless Mag Reed Sw, 1/2HP max	115V,1Ø	1/2
J0054	Kit, Controller, Commercial, No TD, 208/230V, 1Ø w/Wireless Mag Reed Sw, 1/2HP max	208/230V,1Ø	1/2
J0028	Kit, Controller, Commercial, Adj TD(6s -20m), 115V,1Ø w/ Door Sw, Roller/Plunger Combo, 1/2HP max	115V,1Ø	1/2
J0029	Kit, Controller, Commercial, Adj TD(6s -20m), 208/230V, 1Ø w/ Door Sw,Roller/Plunger Combo,1/2HP max	208/230V,1Ø	1/2
J0703	Kit, Controller, Commercial, Adj TD(6s-20m), 115V,1Ø w/Plastic Mag Reed Sw, Surf Mntd, 1HP max	115V,1Ø	1
J0704	Kit, Controller, Commercial, Adj TD(6s-20m) ,208/230V,1Ø w/Plastic Mag Reed Sw, Surf Mntd, 1HP max	208/230V,1Ø	1
J0705	Kit, Controller, Commercial, No TD, 115V, 1Ø w/Plastic Mag Reed Sw, Surf Mntd, (2) 1/2HP max	115V,1Ø	(2) 1/2
J0706	Kit, Controller, Commercial, No TD, 208/230V, 1Ø w/Plastic Mag Reed Sw, Surf Mntd, (2) 1/2HP max	208/230V,1Ø	(2) 1/2
Industrial Type			
J0038	Kit, Controller, Industrial, Adj TD(6s-20m), 115V,1Ø w/Metal Mag Reed Sw, Surf Mntd, 1/2HP max	115V,1Ø	1/2
J0042	Kit, Controller, Industrial, Adj TD(6s-20m),208/230V,1Ø w/Metal Mag Reed Sw, Surf Mntd, 1/2HP max	208/230V,1Ø	1/2
J0036	Kit, Controller, Industrial, No TD, 115V,1Ø w/Metal Mag Reed Sw, Surf Mntd, 1/2HP max	115V,1Ø	1/2
J0037	Kit, Controller, Industrial, No TD,208/230V,1Ø w/Metal Mag Reed Sw, Surf Mntd, 1/2HP max	208/230V,1Ø	1/2
J0102	Kit, Controller, Industrial, Adj TD(6s-20m), 115V,1Ø w/Metal Mag Reed Sw, Floor Mntd, 1/2HP max	115V,1Ø	1/2
J0106	Kit, Controller, Industrial, Adj TD(6s-20m),208/230V,1Ø w/Metal Mag Reed Sw, Floor Mntd, 1/2HP max	208/230V,1Ø	1/2
J0100	Kit, Controller, Industrial, No TD, 115V,1Ø w/Metal Mag Reed Sw, Floor Mntd, 1/2HP max	115V,1Ø	1/2
J0104	Kit, Controller, Industrial, No TD,208/230V,1Ø w/Metal Mag Reed Sw, Floor Mntd, 1/2HP max	208/230V,1Ø	1/2
J0720	Kit, Controller, Industrial, Adj TD(6s-20m), 115V,1Ø w/Metal Mag Reed Sw, Surf Mntd, 1HP max	115V,1Ø	1
J0721	Kit, Controller, Industrial, Adj TD(6s-20m), 208/230V,1Ø w/Metal Mag Reed Sw, Surf Mntd, 1HP max	208/230V,1Ø	1
J0722	Kit, Controller, Industrial, No TD, 115V,1Ø w/Metal Mag Reed Sw, Surf Mntd, (2) 1/2HP max	115V,1Ø	(2) 1/2
J0723	Kit, Controller, Industrial, No TD, 208/230V,1Ø w/Metal Mag Reed Sw, Surf Mntd, (2) 1/2HP max	208/230V,1Ø	(2) 1/2
J0724	Kit, Controller, Industrial, Adj TD(6s-20m) 115V, 1Ø w/Metal Mag Reed Sw, Floor Mntd, 1HP max	115V,1Ø	1
J0725	Kit, Controller, Industrial, Adj TD(6s-20m) 208/230V, 1Ø w/Metal Mag Reed Sw, Floor Mntd, 1HP max	208/230V,1Ø	1
J0726	Kit, Controller, Industrial, No TD, 115V, 1Ø w/Metal Mag Reed Sw, Floor Mntd, (2) 1/2HP max	115V,1Ø	(2) 1/2
J0727	Kit, Controller, Industrial, No TD, 208/230V, 1Ø w/Metal Mag Reed Sw, Floor Mntd, (2) 1/2HP max	208/230V,1Ø	(2) 1/2
Walk in Type			
J0132	Kit,Controller,Walk-in Installation,LPV236-72,Adj.TD,115V,w/ Plas. Surface Mntd Mag. Reed Switch	115V,1Ø	1/2
J0133	Kit,Controller,Walk-in Installation,LPV236-72,Adj.TD,208/230V,w/ Plas. Surface Mntd Mag. Reed Switch	208/230V,1Ø	1/2
J0032	Kit, Controller,Walk-in Installation,LPV236-72,No TD,115V,w/ Plas. Surface Mntd Mag. Reed Switch	115V,1Ø	1/2
J0033	Kit,Controller,Walk-in Installation,LPV236-72,No TD,208/230V,w/ Plas. Surface Mntd Mag. Reed Switch	208/230V,1Ø	1/2

Features:

- ❖ UR (UL Recognized) and rated for NEMA 1 (field installed by others)
- ❖ Solid State Controllers
- ❖ Used when low voltage automatic control of an air curtain(s) is required
- ❖ Compact control package for limited space installations
- ❖ Time delay option – Field adjustable (6s-20m) delay on break. Delay keeps air curtains ON after door closes
- ❖ Reed and Magnet have sleek compact design (must be within 3/8" of each other to energize and de-energize the air curtain)
- ❖ Single pole terminal (1P) normally closed (NC) and normally opened (NO) contact



Controller with Adjustable Time Delay
(Controller part # 99-050 & 99-051)

Controller without Time Delay
(Controller part # 99-052 & 99-053)

NOTE: MARS AIR SYSTEMS, LLC reserves the right to change specifications and product design without notice. Such revisions do not entitle the buyer to corresponding changes, improvements, additions or replacements for previously purchased equipment.

Solid State (RIB) Control Packages



Commercial and Industrial Models

atmosphere is everything

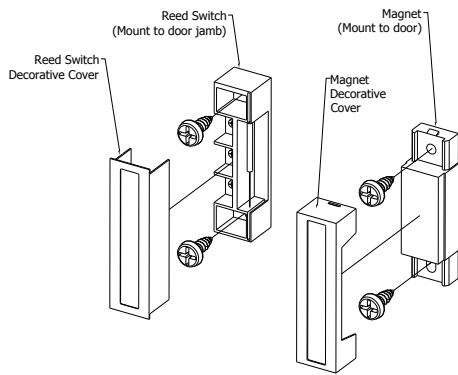
14716 S. BROADWAY, GARDENA, CA 90248 • Ph: (310)532-1555 Fax: (310)532-3030 • www.marsair.com
© Copyright Mars Air Systems, LLC 2014

Commercial Type Control Packages

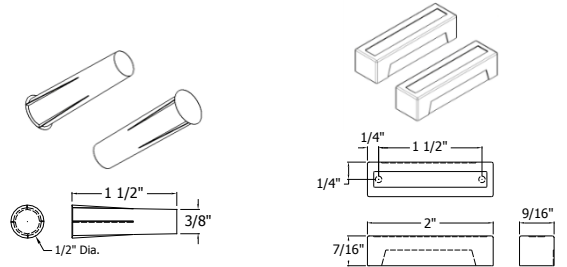
*Note: Do not use a fastener larger than a #6 sheet metal screw or a #8 Machine screw to mount this door limit switch. Forcing larger screws through the mounting holes destroys the switch and voids the warranty.

Wired

- Flush Mounted (99-275) and Surface Mounted Wired (99-018) available
- Wiring terminals provided in reed switches (field wired by others)
- Maximum amperage rating is 1/2A
- Durable white plastic construction
- Available for 115V and 208/230V, 1Ø power only with 24V control

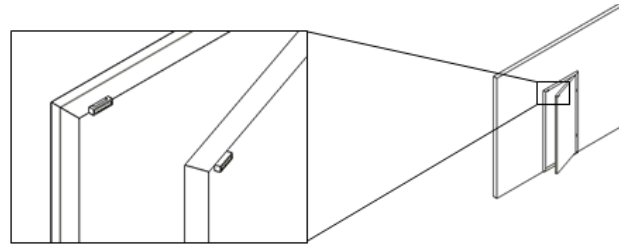


Typical Commercial Surface Mounted Switch (99-018) Installation Shown



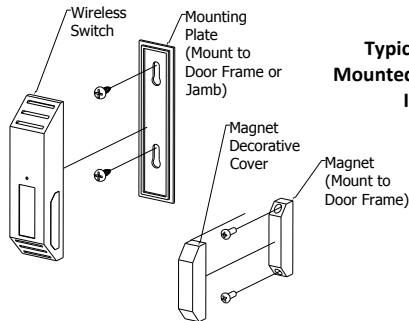
Commercial Flush Mounted (Switch part # 99-275)

Commercial Surface Mounted (Switch part # 99-018)

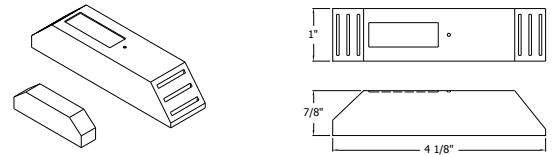


Wireless

- Surface Mounted Wireless Reed Switch (99-118)
- Reed mounted solar panel charges internal battery
- Maximum amperage rating is 2A
- Durable white plastic construction
- Available for 115V and 208/230V, 1Ø power only with 24V control



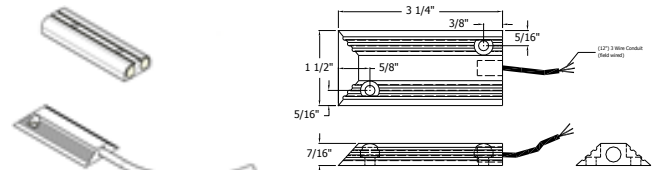
Typical Commercial Surface Mounted Wireless Switch (99-118) Installation Shown



Commercial Surface Mounted Wireless Switch (# 99-118)

*Note: Wherever applicable, the switch and magnet should be mounted using screws to door frame or door jamb.

Wireless switch – Not recommended for low light areas. Ideal for applications where traffic through the door is no greater than 500 cycles/day. For higher traffic situations, the required battery replacements will be more frequent.



Industrial Floor Mounted (99-124)

NOTE: MARS AIR SYSTEMS, LLC reserves the right to change specifications and product design without notice. Such revisions do not entitle the buyer to corresponding changes, improvements, additions or replacements for previously purchased equipment.

Solid State (RIB) Control Packages



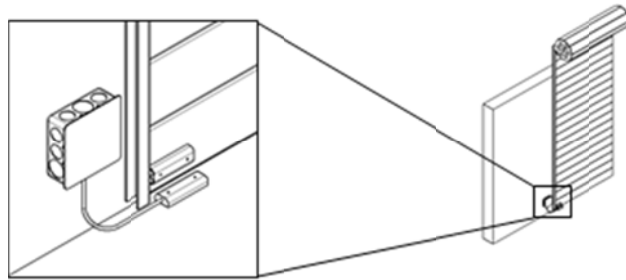
Commercial and Industrial Models

atmosphere is everything

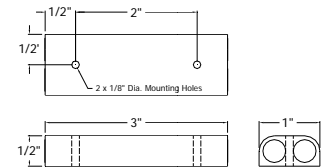
14716 S. BROADWAY, GARDENA, CA 90248 • Ph: (310)532-1555 Fax: (310)-532-3030 • www.marsair.com
© Copyright Mars Air Systems, LLC 2014

Industrial Type

- Floor Mounted (99-124) and Surface Mounted (99-125) available
- Rated for NEMA 1 (field installed by others)
- 24 to 120 volts (controller or panel required)
- 12" conduit leads provided (field wired by others)
- Maximum amperage rating is 3A
- Heavy duty extruded aluminum construction



Typical Industrial Floor Mounted (99-124) Installation Shown

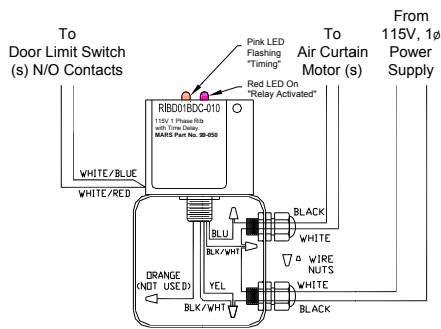


Industrial Surface Mounted (99-125)

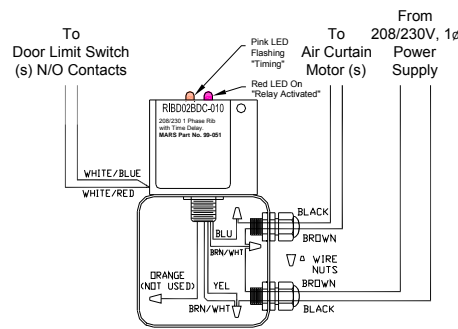
Options and Accessories: (see Accessories Brochure)

- ❖ Factory wiring available (specify lead lengths)
- ❖ Industrial Types may be use with optional Motor Control Panels (MCP*-**)

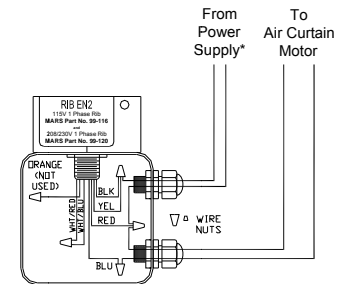
Magnetic Switch Control Package Wiring Diagrams



Kit J0021, J0101, J0038 & J0102 Diagrams

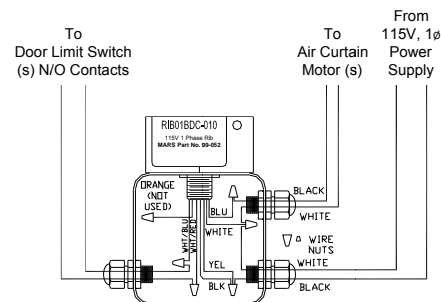


Kit J0022, J0105, J0042 & J0106 Diagrams

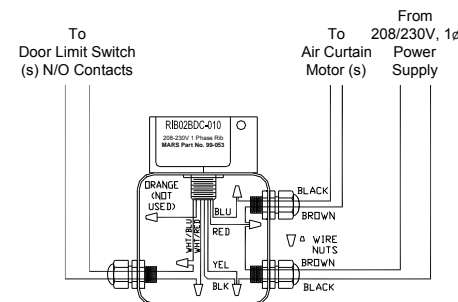


Kit J0053 & J0054 Diagrams

Note:
Controller Kit J0053 require 115V, 1Ø power and Controller Kit J0054 require 208/230V, 1Ø power to operate properly. The controllers are wired the same, but are not interchangeable.



Kit J0023, J0099, J0036 & J0100 Diagrams



Kit J0024, J0103, J0037 & J0104 Diagrams

NOTE: MARS AIR SYSTEMS, LLC reserves the right to change specifications and product design without notice. Such revisions do not entitle the buyer to corresponding changes, improvements, additions or replacements for previously purchased equipment.

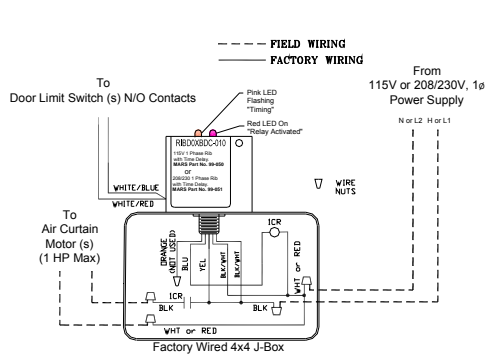
Solid State (RIB) Control Packages



Commercial and Industrial Models

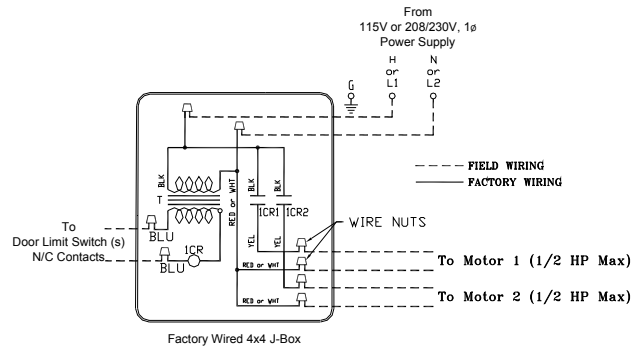
atmosphere is everything

14716 S. BROADWAY, GARDENA, CA 90248 • Ph: (310)532-1555 Fax: (310)-532-3030 • www.marsair.com
© Copyright Mars Air Systems, LLC 2014



Kit J0703, J0704, J0720, J0721, J0724 & J0725 Diagrams

Note:
Controller Kit J0703, J0720 and J0724 require 115V, 1ϕ power and Controller Kit J0704, J0721 and J0725 require 208/230V, 1ϕ power to operate properly. The controllers are wired the same, but are not interchangeable.



Kit J0705, J0706, J0722, J0723, J0726 & J0727 Diagrams

Note:
Controller Kit J0705, J0722 and J0726 require 115V, 1ϕ power and Controller Kit J0706, J0723 and J0727 require 208/230V, 1ϕ power to operate properly. The controllers are wired the same, but are not interchangeable.

NOTE: MARS AIR SYSTEMS, LLC reserves the right to change specifications and product design without notice. Such revisions do not entitle the buyer to corresponding changes, improvements, additions or replacements for previously purchased equipment.