



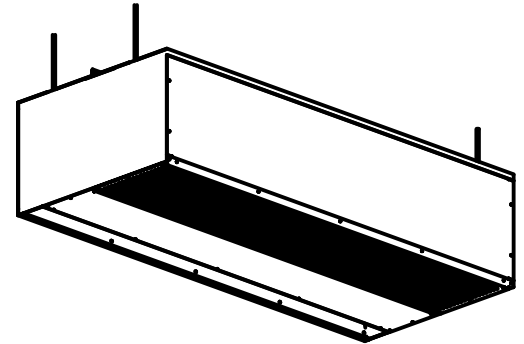
atmosphere is everything

14716 S. Broadway • Gardena, CA 90248 • USA
 TEL: (310) 532-1555 • (800) 421-1266 • FAX: (310) 324-3030
 Web Site: www.marsair.com • E-mail: info@marsair.com

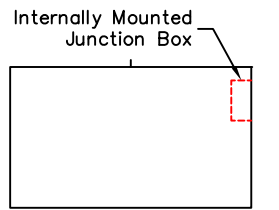
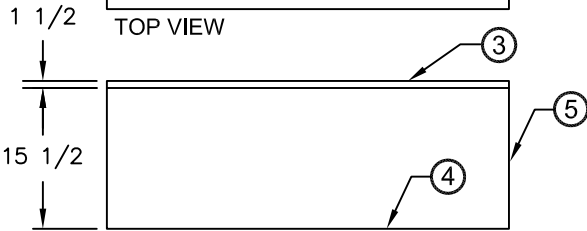
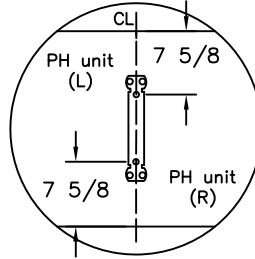
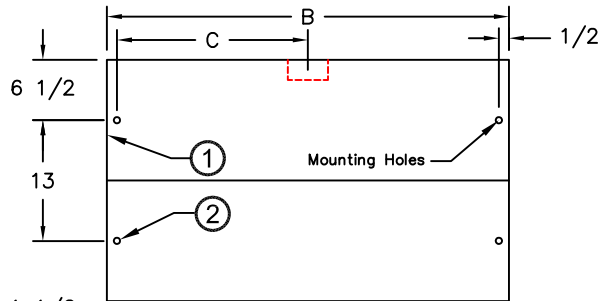
PROJECT		OPTIONS/ITEMS	
TITLE			
COMMENTS		DATE 9/24/14	PAGE
		REV. NO	
MODEL NO. PH10 Series	DRAWING NO PH10U-F	DRAWN BY TVN	CHECKED BY
		FILE NAME	

Unheated Drawing

PH10 (Phantom 10) Series



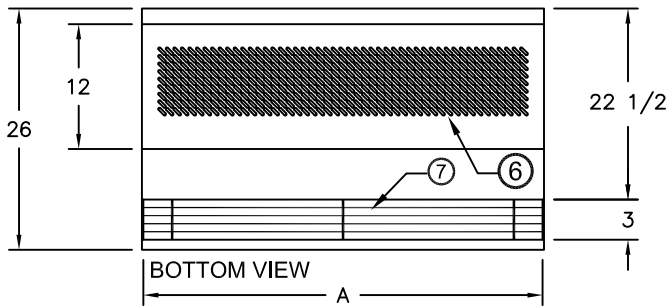
For tandem mounted units, center support required. The (2) center mounting holes are centerline of unit and 7 5/8" from front and rear of unit.



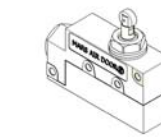
↑ INTAKE AIR
 ↓ DISCHARGE AIR



Note: Models PH1060-2, PH1064-2 & PH10120-4 are not AMCA Certified.



Recommended Accessories



Door Limit Switches



Control Panels

*- Use corresponding letters in "Electrical Data" columns to complete the model numbers.

Notes:

MODEL NUMBER	NOZZLE WIDTH A (in)	OVERALL LENGTH B (in)	JUNCTION BOX LOCATION C (in)
PH1036-1U*-PW	36	36 1/8	18**
PH1042-1U*-PW	42	42 1/8	21**
PH1048-1U*-PW	48	48 1/8	24**
PH1060-2U*-PW	60	60 1/8	30**
PH1072-2U*-PW	72	72 1/8	36**
PH1084-2U*-PW	84	84 1/4	42**
PH1096-2U*-PW	96	96 1/4	24**
PH10108-3U*-PW	108	108 1/4	18**
PH10120-4U*-PW	120	120 1/4	30**
PH10144-4U*-PW	144	144 1/4	36**

** - Measurements from edge of each unit, when tandem mounted.

- This product is designed to meet the National Electric Code (NEC), is ETL Listed for the US and Canada, AMCA Certified and bear the CE mark.
- (4) 3/8" threaded rod required for overhead installation.
- Cabinet has sufficient strength for fastening to wall on both ends without intermediate support.
- Pearl White trim pieces included to match air curtains and ceilings.
- Tandem mounted units longer than 72" require center support.
- Cleanable polyester filters included as standard. Optional aluminum or throwaway pleated filters available.
- Unit is to be installed such that air flow is unobstructed. Air discharge nozzle containing adjustable air directional vanes with 40° sweep front to back.
- Circuit protection as per NEC by others.
- Optional motor control panel, door limit switch and mounting brackets are field installed and/or wired by others. The door limit switch is to be mounted such that the air curtain turns on as door begins to open. To prevent unit damage, the mounting brackets must be installed such that the bottom of the air curtain is not below the door header.

PH10 (Phantom 10) Series

Unheated

Model Lengths 36" – 144"



atmosphere is everything

14716 S. BROADWAY, GARDENA, CA 90248 • Ph: (310)532-1555 Fax: (310)-532-3030 • www.marsair.com
© Copyright Mars Air Systems, LLC 2014

Unheated Data Sheet

Applications: Environmental Separation (up to 10')

PH10 (Phantom 10)	Mechanical Data						AMCA Certified Lab Data				
Model Number	Nozzle Length (in)	Length (in)	Depth (in)	Height (in)	Motor (hp)	Weight (lbs)	Max Core Velocity at Nozzle (fpm)	Avg Velocity (fpm)	Volume (cfm)	Uniformity (%)	Power Rating (watts)
PH1036-1U*-PW	36	36	26	17	1/2	60	3950	1947	1460	91	460
PH1042-1U*-PW	42	42	26	17	1/2	60	4150	1806	1580	89	500
PH1048-1U*-PW	48	48	26	17	1/2	65	3895	1632	1632	91	520
PH1060-2U*-PW	60	60	26	17	Two 1/2	100	3750	2217	2771	93	870
PH1072-2U*-PW	72	72	26	17	Two 1/2	105	3950	1947	2920	91	920
PH1084-2U*-PW	84	84	26	17	Two 1/2	125	4150	1806	3160	89	1000
PH1096-2U*-PW	96	96	26	17	Two 1/2	130	3895	1632	3264	91	1040
PH10108-3U*-PW	108	108	26	17	Three 1/2	170	3950	1947	4380	91	1380
PH10120-4U*-PW	120	120	26	17	Four 1/2	200	3750	2217	5541	93	1730
PH10144-4U*-PW	144	144	26	17	Four 1/2	210	3950	1947	5840	91	1840

* - Use corresponding letters in "Electrical Data" columns to complete the model numbers.

Note: Data above for 1725 RPM at 60 Hz, 50 Hz is 1425 RPM with a 17% reduction in the performance data.

Features:

- ❖ 1/2 HP Continuous Duty TEAO Motors
- ❖ Recessed mounted in ceiling for invisible coverage
- ❖ AMCA Certified to AMCA 211 (see table above for models available)
- ❖ ETL Certified to conform to UL 507 (US) and CSA 22.2 (Canada) Standards
- ❖ Utilized in premium design concepts
- ❖ Durable aluminum construction
- ❖ Cabinet has sufficient strength for fastening to wall on both ends without intermediate support. (Tandem mounted units longer than 72" require center support)
- ❖ Cleanable polyester filters included as standard
- ❖ Adjustable air directional vanes with 40° sweep front to back
- ❖ Standard color is Pearl White
- ❖ Rust preventative electrostatic polyurethane powder coating
- ❖ 5 year parts warranty
- ❖ Freight Included (FOB Continental USA)
- ❖ Proudly Made in the USA

Options and Accessories: (see Accessories Brochure)

- ❖ Motor Control Panels
- ❖ Wall and Overhead Bracket
- ❖ Multi-speed motors and controls
- ❖ Aluminum or throwaway pleated filters
- ❖ Custom colors and finishes (304SS, 316SS)

Sound Levels: (measured at 10' in an open field)

1 Motor Unit = 66 dBA, 2 Motor Unit = 68 dBA, 3 Motor Unit = 71 dBA & 4 Motor Unit = 73 dBA

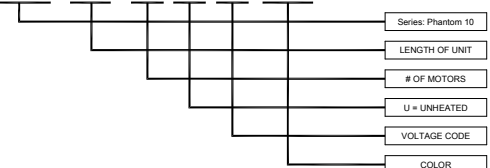
Electrical Data (FLA)	Unit Voltage (Voltage Code)				
	115v (A)	208/230v/1Ø (D)	208/230v/3Ø (G)	460v/3Ø (H)	575v/3Ø (I)
PH1036-1U*-PW	5.1	2.5	1.8/1.6	0.8	0.7
PH1042-1U*-PW	5.1	2.5	1.8/1.6	0.8	0.7
PH1048-1U*-PW	5.1	2.5	1.8/1.6	0.8	0.7
PH1060-2U*-PW	10.2	5.0	3.6/3.2	1.6	1.4
PH1072-2U*-PW	10.2	5.0	3.6/3.2	1.6	1.4
PH1084-2U*-PW	10.2	5.0	3.6/3.2	1.6	1.4
PH1096-2U*-PW	10.2	5.0	3.6/3.2	1.6	1.4
PH10108-3U*-PW	15.3	7.5	5.4/4.8	2.4	2.1
PH10120-4U*-PW	20.4	10.0	7.2/6.4	3.2	2.8
PH10144-4U*-PW	20.4	10.0	7.2/6.4	3.2	2.8

* - Use corresponding letters in "Electrical Data" columns to complete the model numbers.

Note: For Ampacity Multiply FLA X 1.25

EXAMPLE

PH10 72 -2 U A -PW



Model	Projection Velocity	
	Distance from nozzle (in)	Avg. Core Velocity (FPM)
PH1036-1U*-PW	40"	1125
	80"	803
	120"	683



MARS Air Systems, LLC certifies that the Air Curtains shown on this data sheet are licensed to bear the AMCA seal. The ratings shown are based on tests and procedures performed in accordance with AMCA Publication 211 and comply with the requirements of the AMCA Certified Ratings Program.

Note: Models PH1060-2 & PH1064-2 & PH10120-4 are not AMCA Certified.
The AMCA Certified Ratings Seal applies to airflow rate, average outlet velocity, outlet velocity uniformity, velocity projection and power rating at free delivery only.



NOTE: MARS AIR SYSTEMS, LLC reserves the right to change specifications and product design without notice. Such revisions do not entitle the buyer to corresponding changes, improvements, additions or replacements for previously purchased equipment.