

# Brackets

All Unheated, Electric, Hot Water and Steam Heated Series

(Excludes the WM and BD series and all Gas Fired Models)



atmosphere is everything

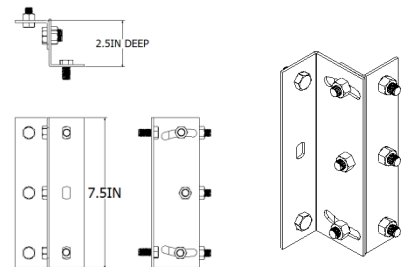
14716 S. BROADWAY, GARDENA, CA 90248 • Ph: (310) 532-1555 Fax: (310) 532-3030 • [www.marsair.com](http://www.marsair.com)  
© Copyright Mars Air Systems, LLC 2014

## Brackets

Brackets	Description	Model Number	Width A (in)	Standard Color
Offset Mounting Brackets	Bracket, Mounting, 2 1/2" Clearance (Set of Two)	J0004	-	Obsidian Black
	Bracket, Mounting, 4" Clearance (Set of Two)	J0005	4.75	Obsidian Black
	Bracket, Mounting, 7" Clearance (Set of Two)	J0006	7.75	Obsidian Black
	Bracket, Mounting, 10" Clearance (Set of Two)	J0007	10.75	Obsidian Black
Extended Offset Mounting Brackets	Bracket, Mounting, Extended Wall, 10" Clearance, (Set of Two)	J0008G	10	Titanium Silver
	Bracket, Mounting, Extended Wall, 16" Clearance, (Set of Two)	J0009G	16	Titanium Silver
	Bracket, Mounting, Extended Wall, 19" Clearance, (Set of Two)	J0010G	19	Titanium Silver
	Bracket, Mounting, Extended Wall, 23" Clearance, (Set of Two)	J0011G	23	Titanium Silver
Side Extension Plates	5" Flat Side-Extension Plates, (Set of Two)	J0016	6	Titanium Silver
	7" Flat Side-Extension Plates, (Set of Two)	J0017	8	Titanium Silver
	9" Flat Side-Extension Plates, (Set of Two)	J0018	10	Titanium Silver </td
Top Mounting Brackets	LPV2, Unheated Top Mounting Bracket, (Set of Two)	09-057	-	Obsidian Black
	LPV2, Heated Top Mounting Bracket, (Set of Two)	09-056	-	Obsidian Black
Transom Mounting Brackets	Bracket, Transom Mounting, STD2, (Set of Two)	09-058	-	Obsidian Black
	Bracket, Transom Mounting, LP2, (Set of Two)	J0041	-	Obsidian Black

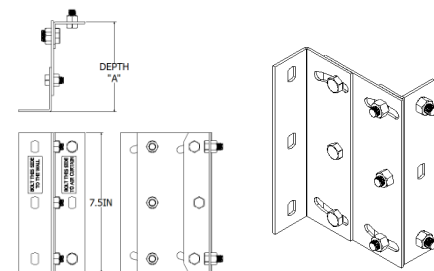
### Features:

- ❖ Specifically designed to be used for the Mars Air Curtains
- ❖ Heavy duty 1/4" steel construction
- ❖ All brackets are provided as a set of 2 (Tandem units require 1 set per unit)
- ❖ Rust preventative electrostatic polyurethane powder coating
- ❖ Unit and wall mounting hardware provided by others
- ❖ Shipped loose for field installation by others
- ❖ 1 year parts warranty
- ❖ Proudly Made in the USA

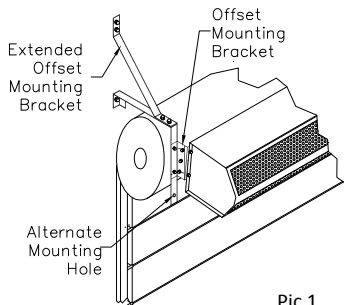


Offset Mounting Brackets  
2.5" Clearance (J0004)

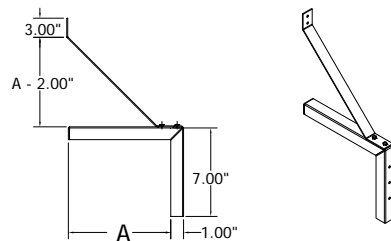
- ❖ Offset Mounting Brackets
- ❖ Designed to clear small obstructions above the opening or mounting location
- ❖ Typically used for sectional type doors, vertical lift or garage type (see pic 1)
- ❖ Available with 2 1/2", 4", 7" or 10" clearances
- ❖ Standard color is Obsidian Black



Offset Mounting Brackets  
4", 7", 10" Clearance (J0005, J0006, J0007)



Pic 1



Extended Offset Mounting Brackets

- ❖ Extended Offset Mounting Brackets
- ❖ Designed to clear larger obstructions above the opening or mounting location
- ❖ Typically used for drum type doors and large pipes for water or ventilation (see pic 1)
- ❖ Set included 2 1/2" Offset Mounting Bracket as standard

NOTE: MARS AIR SYSTEMS, LLC reserves the right to change specifications and product design without notice. Such revisions do not entitle the buyer to corresponding changes, improvements, additions or replacements for previously purchased equipment.

# Brackets

## All Unheated, Electric, Hot Water and Steam Heated Series

(Excludes the WM and BD series and all Gas Fired Models)



atmosphere is everything

14716 S. BROADWAY, GARDENA, CA 90248 • Ph: (310) 532-1555 Fax: (310) 532-3030 • [www.marsair.com](http://www.marsair.com)  
© Copyright Mars Air Systems, LLC 2014

- ❖ Compatible with optional 4", 7" or 10" Offset Mounting Brackets and all Side Extension Plates
- ❖ Available with 10", 16", 19" or 23" clearances
- ❖ Standard color is Titanium Silver

### Side Extension Plates

- ❖ Designed to clear small obstructions on the ends of the opening or mounting location
- ❖ Typically used to clear door tracks, small pipes and conduit on the edges of the opening
- ❖ Commonly used in conjunction with the Offset Mounting Bracket (see pic 2)
- ❖ Available with 5", 7" or 9" clearances
- ❖ Standard color is Titanium Silver

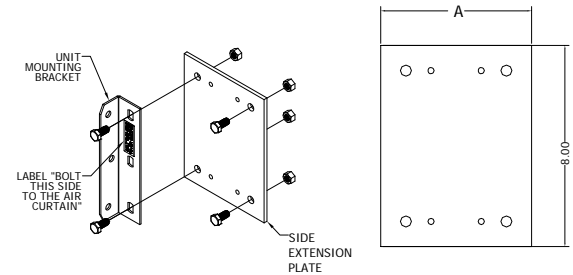
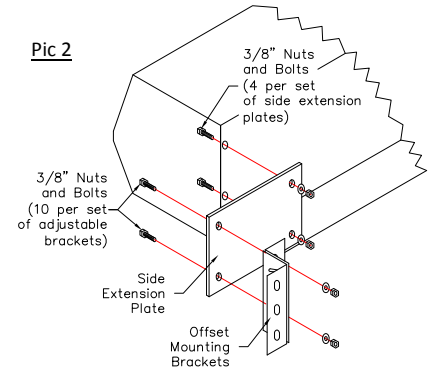
### Top Mounting Brackets

- ❖ Designed for overhead mounting above the opening
- ❖ Typically used for glass doors or large transoms (see pic 3)
- ❖ May be used in conjunction with the Offset Mounting Bracket or Side Extension Plates (see pic 2)
- ❖ Standard color is Obsidian Black

### Transom Mounting Brackets

- ❖ Designed for transom mounting to the framed transoms above the opening
- ❖ Typically used for commercial applications, such as office and retail spaces (see pic 4)
- ❖ Not recommended for HV2 and EP2 units due to door frame weight capacity limitations
- ❖ Standard color is Obsidian Black

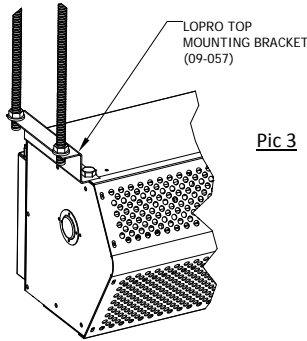
Note: All three types of brackets may be used together for the same installation (see pics 1, 2)



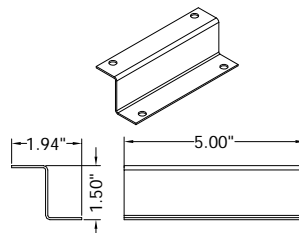
Side Extension Plate

### Options and Accessories: (see Accessories Brochure)

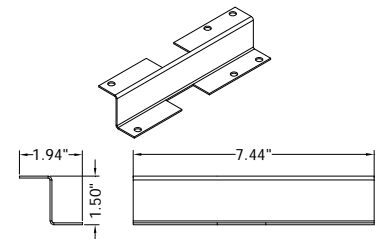
- ❖ Custom colors and finishes (304SS & 316SS)



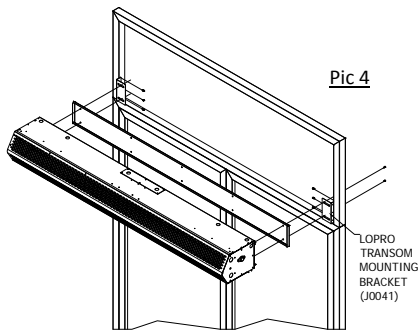
Pic 3



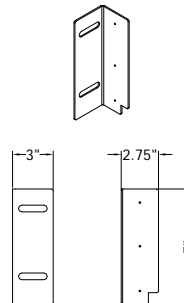
LoPro Unheated Series - Top Mounting Brackets (09-057)



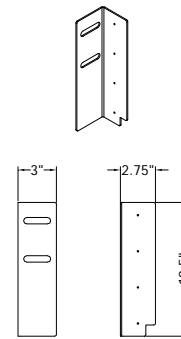
LoPro Heated Series - Top Mounting Brackets (09-056)



Pic 4



LoPro Series - Transom Mounting Brackets (J0041)



STD/N2 Series - Transom Mounting Brackets (09-058)

NOTE: MARS AIR SYSTEMS, LLC reserves the right to change specifications and product design without notice. Such revisions do not entitle the buyer to corresponding changes, improvements, additions or replacements for previously purchased equipment.